

Induktion range IN 860

Technical data

10000046879-TDA-000-02



IN 860 is available with square, floating induction zones of 31x31 cm and a power of 5 kW per zone. All sizes can be supplied with a regular stand or with height adjustment (Vari) or as a tabletop model (TT). Ranges with 2 zones can be supplied with control on the long side (SB).

Accessorie

- Electric height regulation (VARI)
- Tabletop modell (TT)
- Double sided operation (4 and 6 zones)
- Current limitation
- Sea rail
- Handrail
- Floor attachment
- Prepared for power management
- Signal for the extractor



Technical data

Electric

In the users manual there is important information regarding supply and connections.

3~400V+PE / 3~400V+N+PE, 50/60Hz

Type	Zones	Power [kW]	Current consumption [A]	Leakage current [mA]	Backup fuse (max.) [A]
IN 862	2	10	15/15/15	<30	16
IN 864	4	20	31/31/31	<30	32
IN 864 max 16A	4	10,4	16/16/16	<30	32
IN 864 max 20A	4	13	20/20/20	<30	32
IN 864 max 25A	4	16,3	25/25/25	<30	32
IN 866	6	30	46/46/46	<60	63
IN 866 max 25A	6	16,3	25/25/25	<60	63
IN 866 max. 32A	6	20,8	32/32/32	<60	63
IN 866 max. 40A	6	26,1	40/40/40	<60	63

3~440V+PE, 50/60Hz

Type	Zones	Power [kW]	Current consumption [A]	Leakage current [mA]	Backup fuse (max.) [A]
IN 862	2	10	14/14/14	<30	16
IN 864	4	20	28/28/28	<30	32
IN 866	6	30	42/42/42	<60	63

Ventilation

400V and 440V

Type	Sensible [W]	Latent [W]	Steam [kg/h]
IN 862	700	280	0,4
IN 864	1400	560	0,8
IN 864 max. 16A	728	291,2	0,4
IN 864 max. 20A	910	364	0,5
IN 864 max. 25A	1141	456,4	0,7
IN 866	2100	840	1,2
IN 866 max. 25A	1141	456,4	0,7
IN 866 max. 32A	1456	558,4	0,9
IN 866 max. 40A	1827	730,8	1,1



The data is based on the German standard VDI 2052 for dimensioning of ventilation facilities.

The values are based on experience with an average product and a normal usage, and the actual demand varies by the efficiency of the appliance, the control and the way of use.

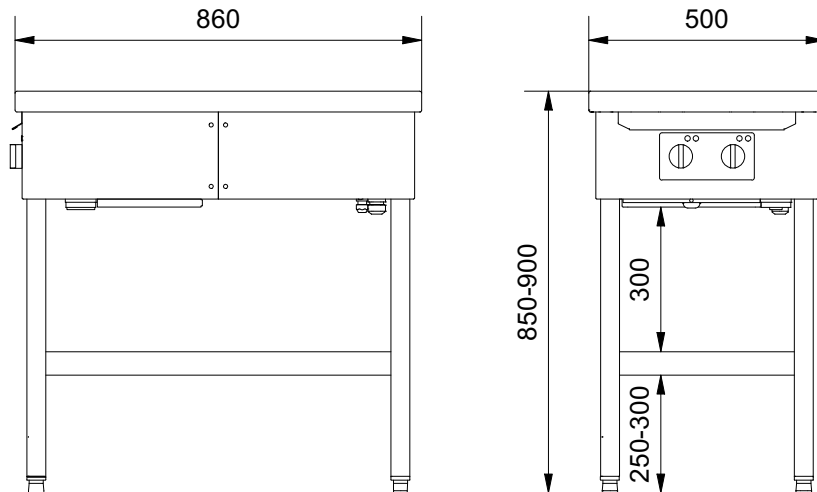
The simultaneity factor, which can be found in VDI 2052 is not taken into account.

Ingress protection class

IPX5

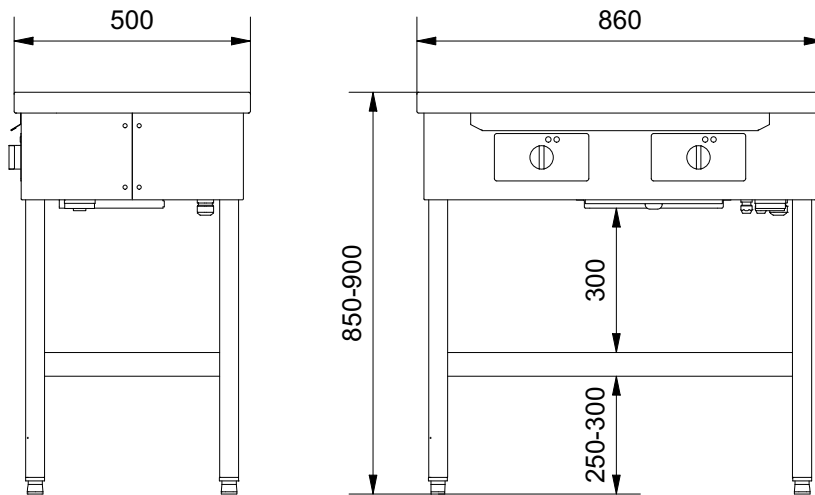
Dimensions of the product

IN 862



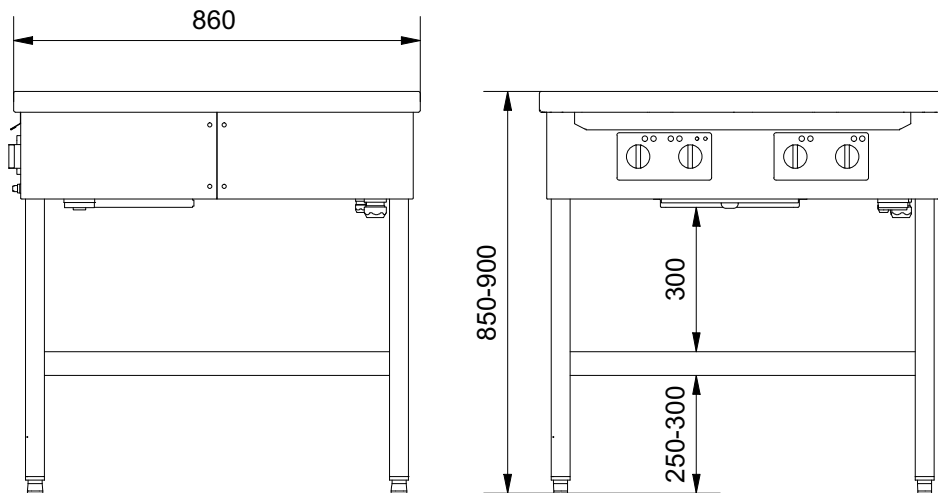
See under the paragraph 'Dimensions for installation' about requirements for space around the appliance.

IN 862 SB



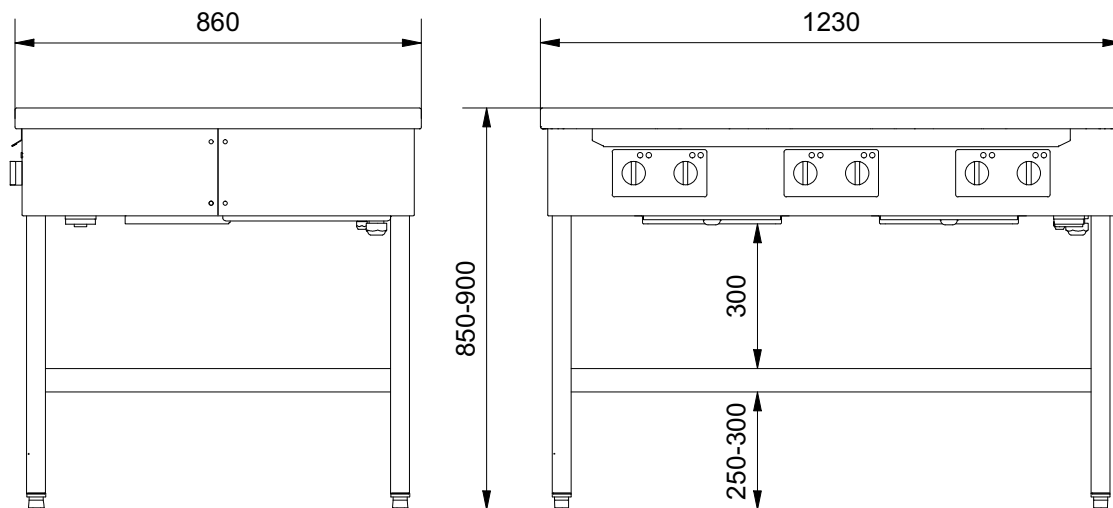
See under the paragraph 'Dimensions for installation' about requirements for space around the appliance.

IN 864



See under the paragraph 'Dimensions for installation' about requirements for space around the appliance.

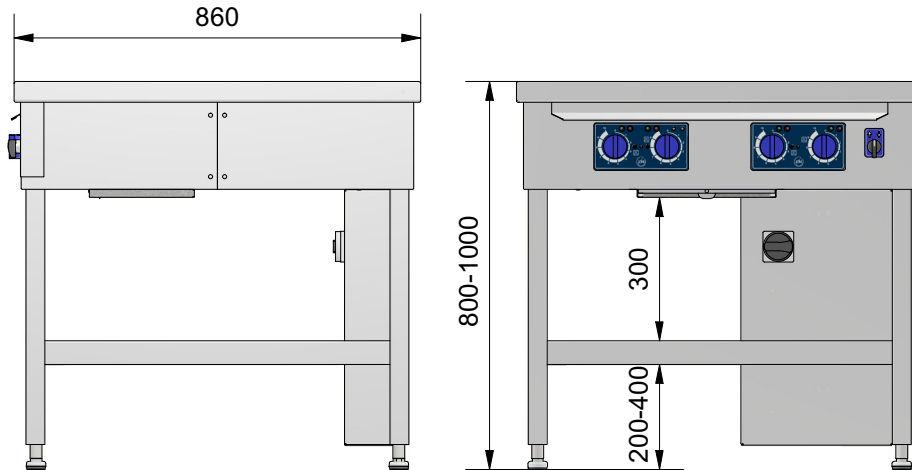
IN 866



See under the paragraph 'Dimensions for installation' about requirements for space around the appliance.

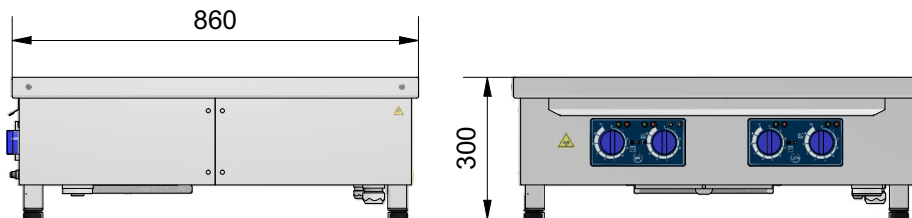
Additional equipment

Electric height adjustment (Vari)

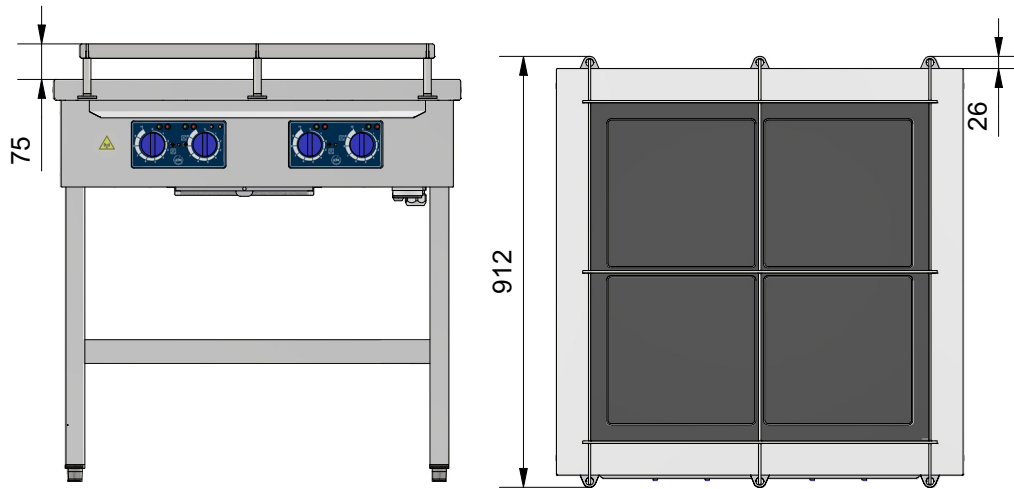


See under the paragraph 'Dimensions for installation' about requirements for space around the appliance.

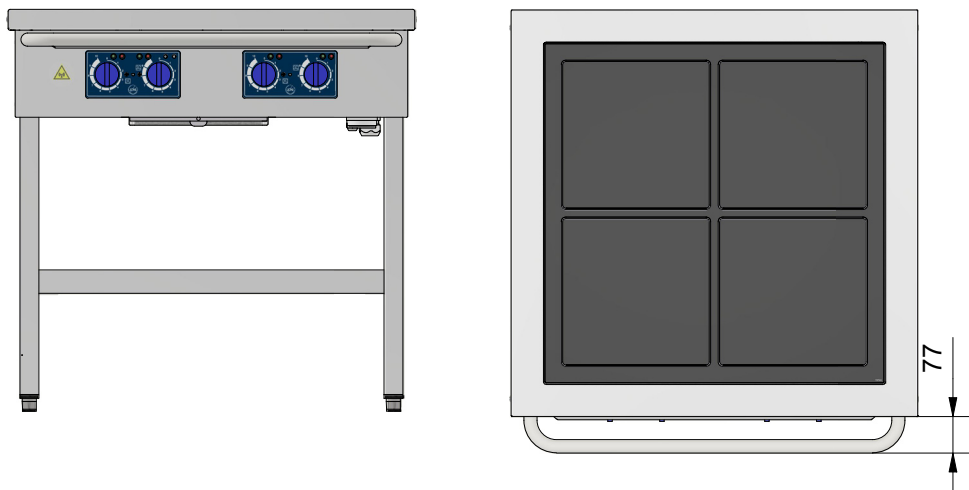
Tabel Top Model (TT)



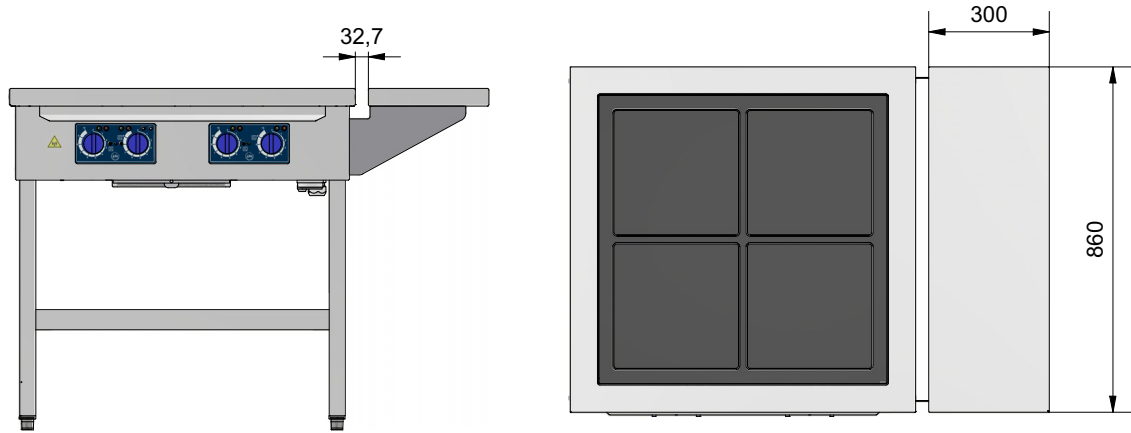
Fiddles



Hand rail

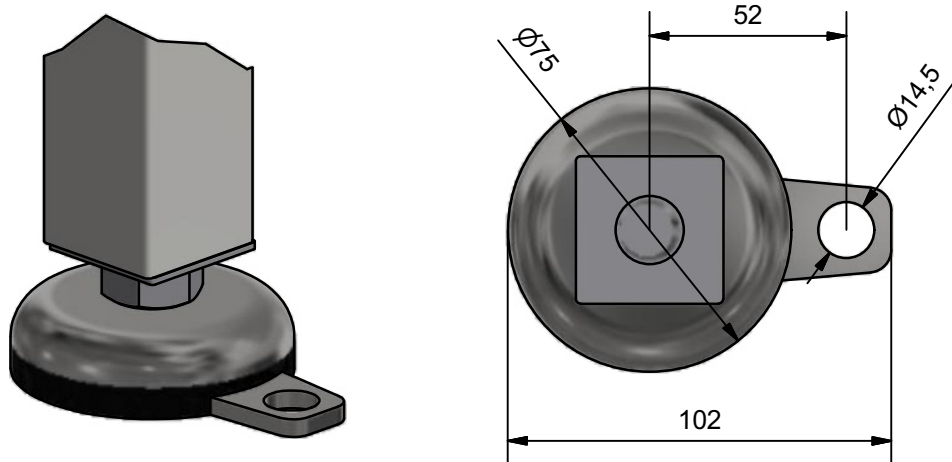


Side shelf

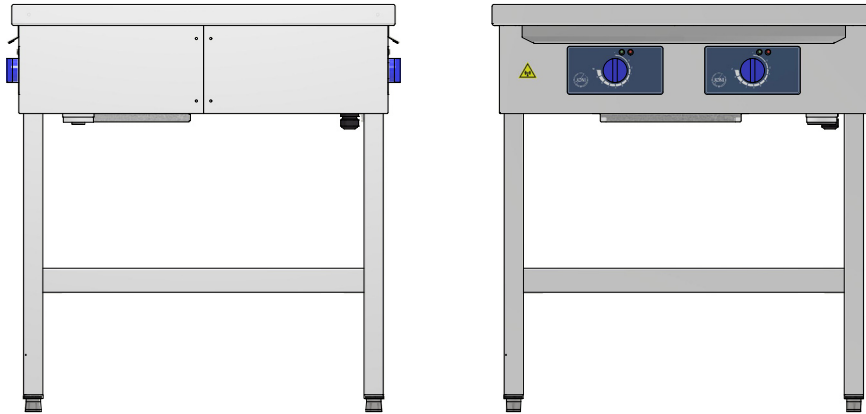


Side shelves can be mounted on the left, the right or both sides of the appliance.
Ranges with two zones and side shelf must be fixed to the floor.

Fixing to the floor



Double sided operation



Ranges with 4 or 6 zones can be supplied with control from two sides.
Where the knobs control the zones closest to them.

Power Management

The range can be delivered with current limitation that follows DIN 18875.
For connection 1,5 mm² clamp terminals are placed inside the appliance.

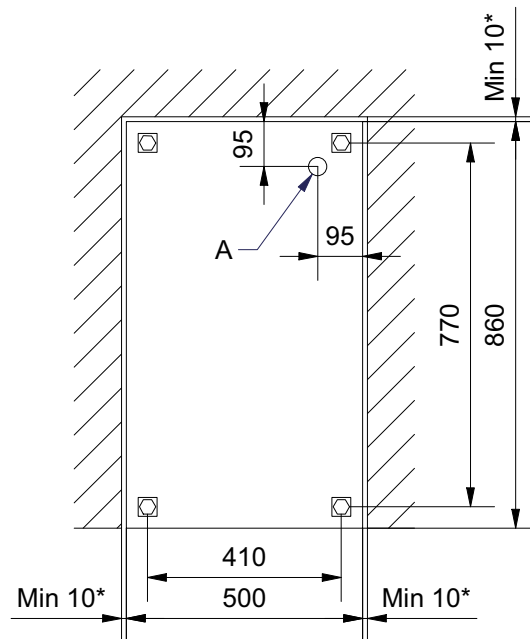
Signal to the extractor

The range can be purchased with a potential-free contact set for a signal to start the extractor. The signal must be a maximum of 230 VAC and 8 A.

For connection 1,5 mm² clamp terminals are placed inside the appliance.

Dimensions for installation

IN 862

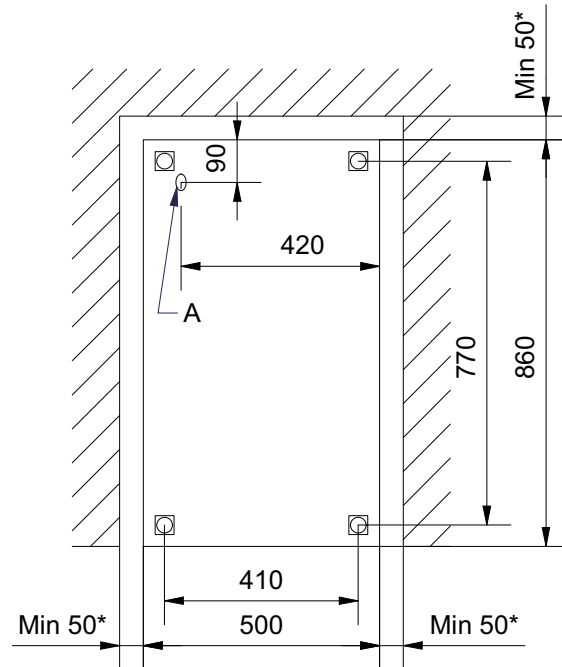


A: Minimum 1200mm electrical cable over the floor.

** Minimum 100mm when placed next to inflammable materials.*

For usage and service purposes a 910 mm minimum clearance in front of the range is required.

IN 862 Vari

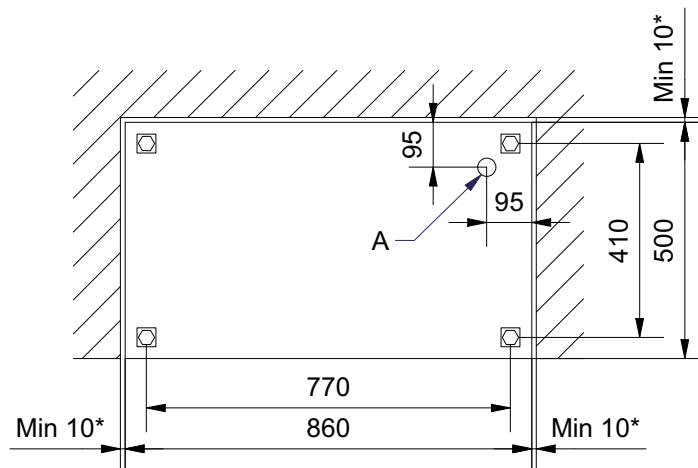


A: Minimum 850mm electrical cable over the floor.

** Minimum 100mm when placed next to inflammable materials.*

For usage and service purposes a 910 mm minimum clearance in front of the range is required.

IN 862 SB

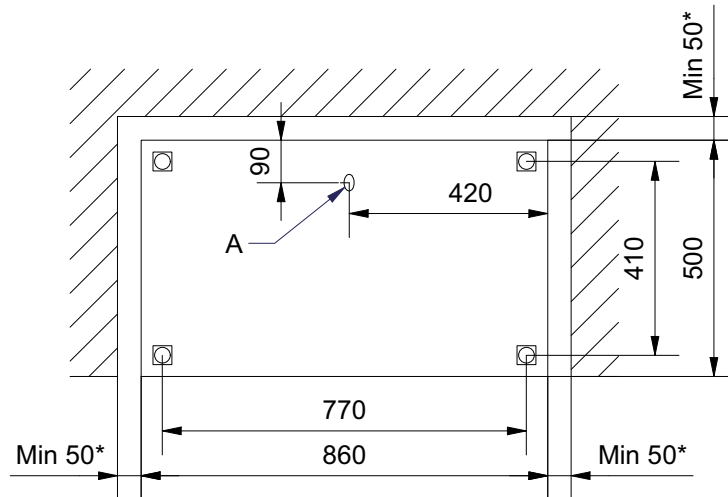


A: Minimum 1200mm electrical cable over the floor.

** Minimum 100mm when placed next to inflammable materials.*

For usage and service purposes a 550 mm minimum clearance in front of the range is required.

IN 862 SB Vari

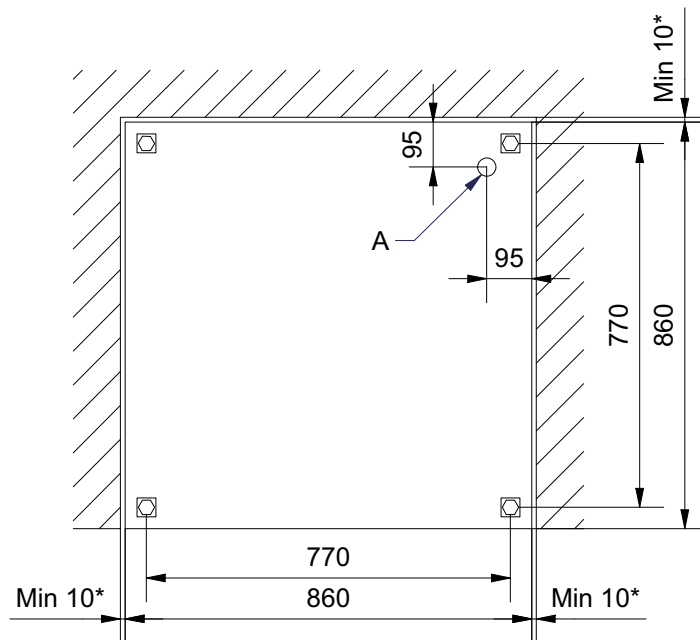


A: Minimum 850mm electrical cable over the floor.

* Minimum 100mm when placed next to inflammable materials.

For usage and service purposes a 550 mm minimum clearance in front of the range is required.

IN 864

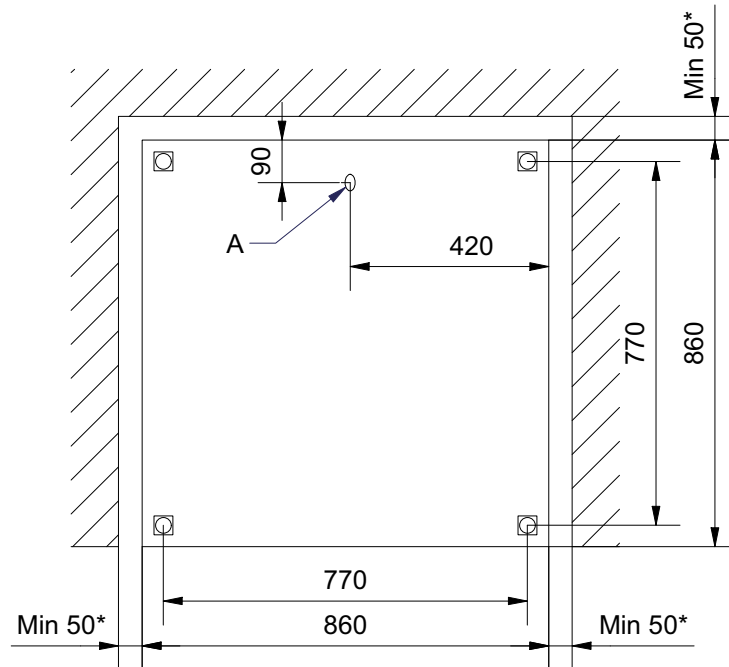


A: Minimum 1200mm electrical cable over the floor.

* Minimum 100mm when placed next to inflammable materials.

For usage and service purposes a 910 mm minimum clearance in front of the range is required.

IN 864 Vari

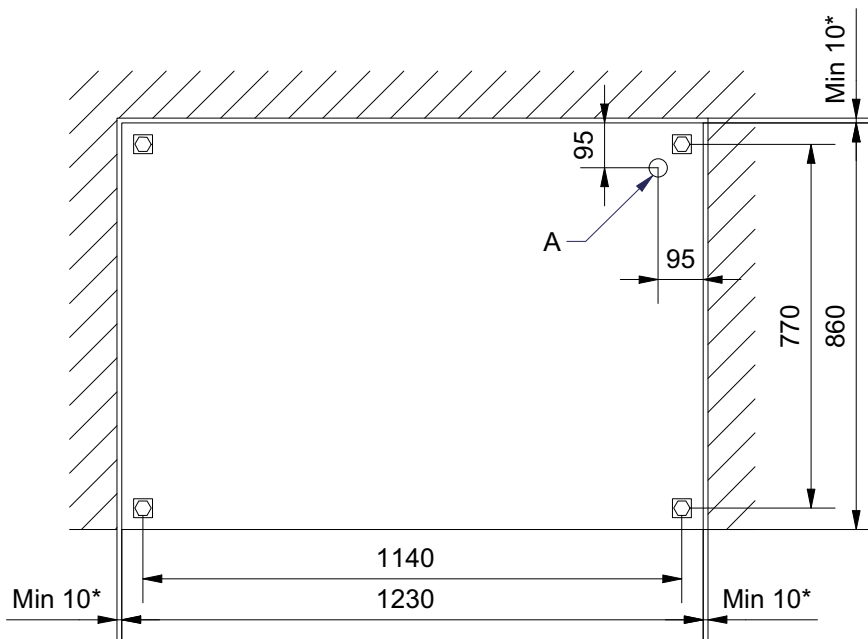


A: Minimum 850mm electrical cable over the floor.

** Minimum 100mm when placed next to inflammable materials.*

For usage and service purposes a 910 mm minimum clearance in front of the range is required.

IN 866

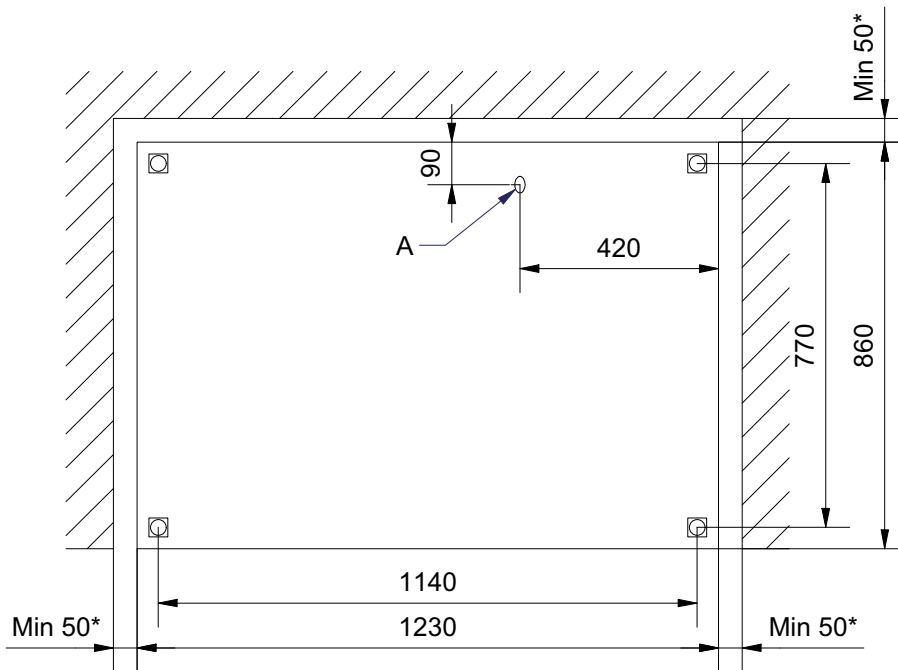


A: Minimum 1200mm electrical cable over the floor.

* Minimum 100mm when placed next to inflammable materials.

For usage and service purposes a 910 mm minimum clearance in front of the range is required.

IN 866 Vari



A: Minimum 850mm electrical cable over the floor.

* Minimum 100mm when placed next to inflammable materials.

For usage and service purposes a 910 mm minimum clearance in front of the range is required.