

## Induktion range IN 800

### Technical data

10000046882-TDA-000-01



IN 800 is available with round Ø 270 mm induction coils with 5 kW (R) or 3.5 kW (RL) and square 260x260 mm induction coils with 5 kW (F)

All sizes can be delivered with standard or electric height adjustment or as a tabletop models.

Ranges with 2 zones can be delivered with control on the long side (SB).

### Accessories

- Electric height adjustment (VARI)
- Tabletop model (TT)
- Double side operation (4 and 6 zones)
- Current limitation
- Sea rail
- Handrail
- Attachment to the floor
- Prepared for Power Management
- Signal to the extractor



## Technical data

In the users manual there is important information regarding supply and connections.

### Electric

#### 3~400V+PE / 3~400V+N+PE, 50/60Hz

Type	Zones 5kW	Zones 3,5kW	Power [kW]	Current consumption [A]	Leakage current [mA]	Backup fuse (max.) [A]
IN 802R/F	2	-	10	15/15/15	<30	16
IN 802RL	-	2	7	11/11/11	<30	16
IN 804R/F	4	-	20	31/31/31	<30	32
IN 804RL	-	4	14	21/21/21	<30	32
IN 804R/F max. 16A	4	-	10,4	16/16/16	<30	32
IN 804R/F max. 20A	4	-	13	20/20/20	<30	32
IN 804R/F max. 25A	4	-	16,3	25/25/25	<30	32
IN 806R/F	6	-	30	46/46/46	<60	63
IN 806RL	-	6	21	32/32/32	<60	63
IN 806R/F max. 25A	6	-	16,3	25/25/25	<60	63
IN 806R/F max. 32A	6	-	20,8	32/32/32	<60	63
IN 806R/F max. 40A	6	-	26,1	40/40/40	<60	63

The values apply to models with both round Ø 270mm coils (R and RL) and square, 260x260mm coils.

#### 3~440V+PE, 50/60Hz

Type	Zones 5 kW	Power [kW]	Current consumption [A]	Leakage current [mA]	Backup fuse (max.) [A]
IN 802 RL - 3,5 kW	2	7	10/10/10	<30	16
IN 802R/F	2	10	14/14/14	<30	16
IN 804 RL - 3,5 kW	4	14	20/20/20	<30	32
IN 804R/F	4	20	28/28/28	<30	32
IN 806 RL - 3,5 kW	6	21	29/29/29	<60	63
IN 806R/F	6	30	42/42/42	<60	63

The values apply to models with both round Ø 270mm coils (R and RL) and square, 260x260mm coils.



## Ventilation

### 3~400V and 3~440V

Type	Sensible [W]	Latent [W]	Steam [kg/h]
IN 802R/F	700	280	0,4
IN 802RL	490	196	0,3
IN 804R/F	1400	560	0,8
IN 804RL	980	392	0,6
IN 804R/F max 16A	728	291,2	0,4
IN 804R/F max 20A	910	364	0,5
IN 804R/F max 25A	1141	456,4	0,7
IN 806R/F	2100	840	1,2
IN 806RL	1470	588	0,9
IN 806R/F max. 25A	1141	456,4	0,7
IN 806R/F max. 32A	1456	582,4	0,9
IN 806R/F max. 40A	1827	730,8	1,1

*The data is based on the German standard VDI 2052 for dimensioning of ventilation facilities.*

*The values are based on experience with an average product and a normal usage, and the actual demand varies by the efficiency of the appliance, the control and the way of use.*

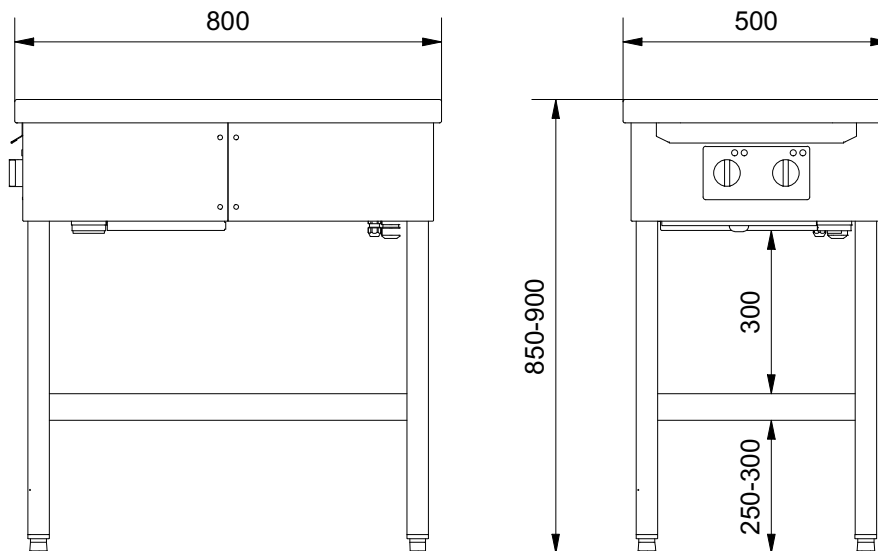
*The simultaneity factor, which can be found in VDI 2052 is not taken into account.*

## Ingress protection class

IPX5

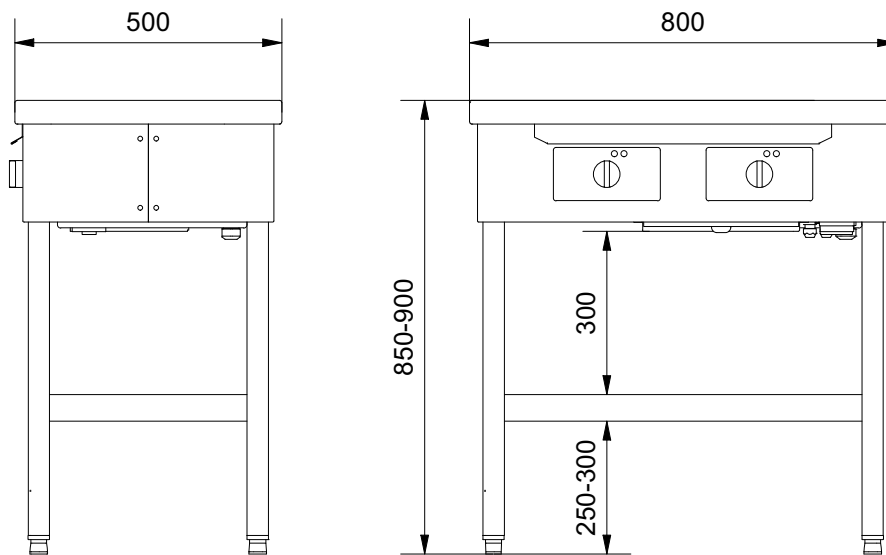
## Dimensions of the product

### IN 802



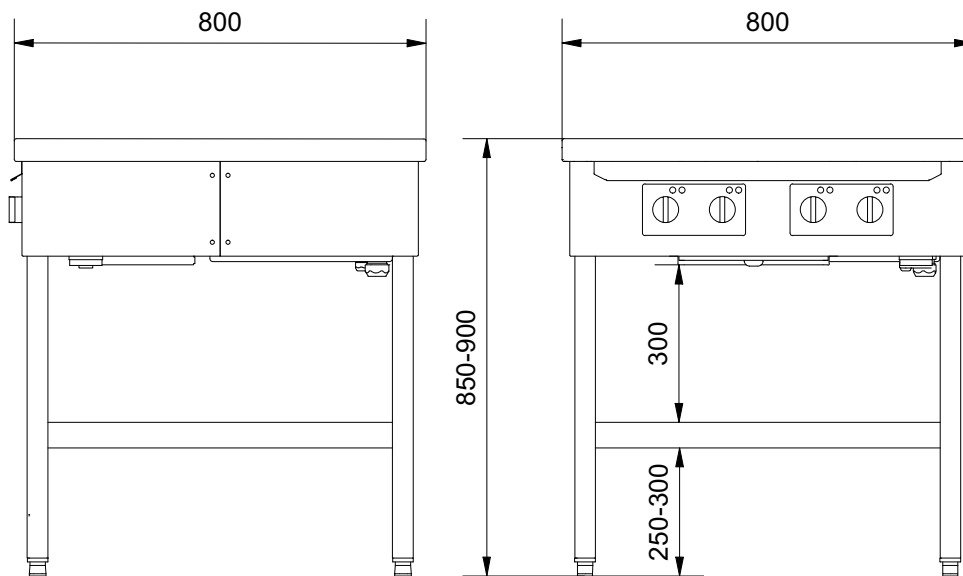
See under the paragraph 'Dimensions for installation' about requirements for space around the appliance.

## IN 802 SB



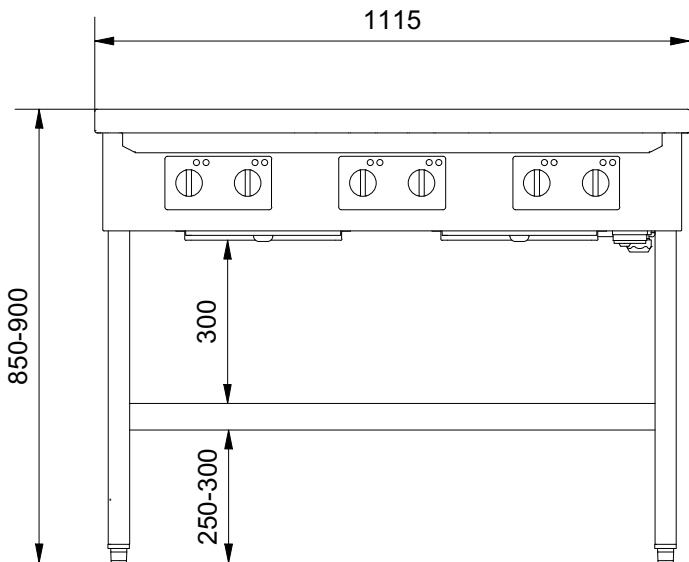
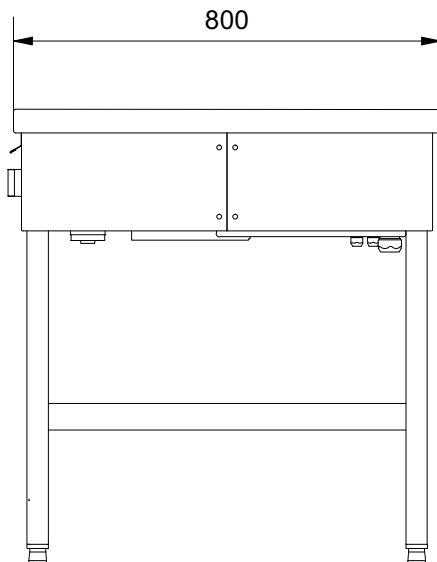
See under the paragraph 'Dimensions for installation' about requirements for space around the appliance.

# IN 804



See under the paragraph 'Dimensions for installation' about requirements for space around the appliance.

# IN 806



See under the paragraph 'Dimensions for installation' about requirements for space around the appliance.

## Selectable coils



*Square coils for IN 800F*

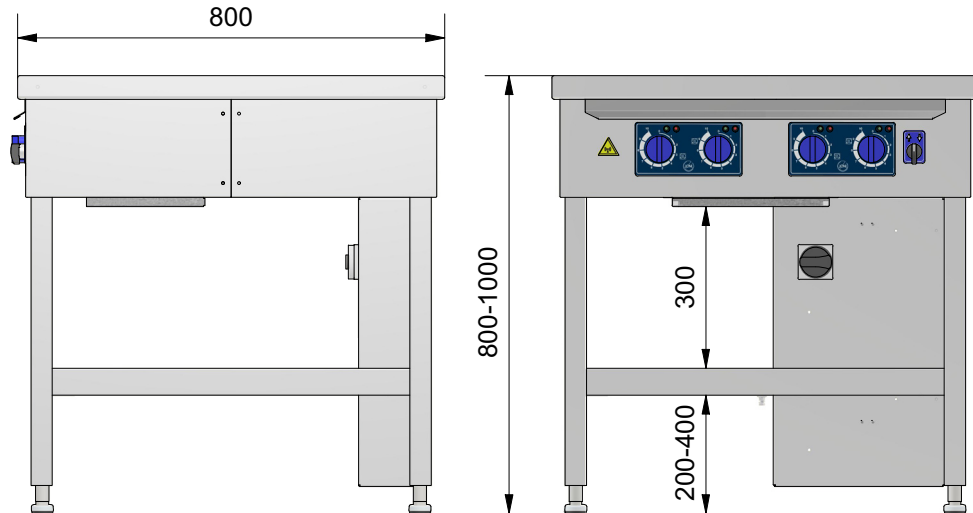


*Round coils for IN 800R and IN 800RL*



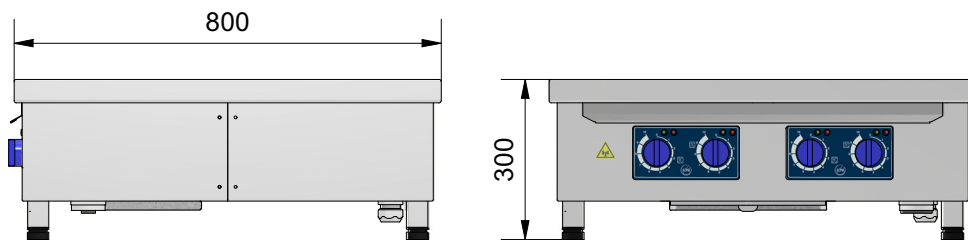
## Additional equipment

### Electric height adjustment (Vari)



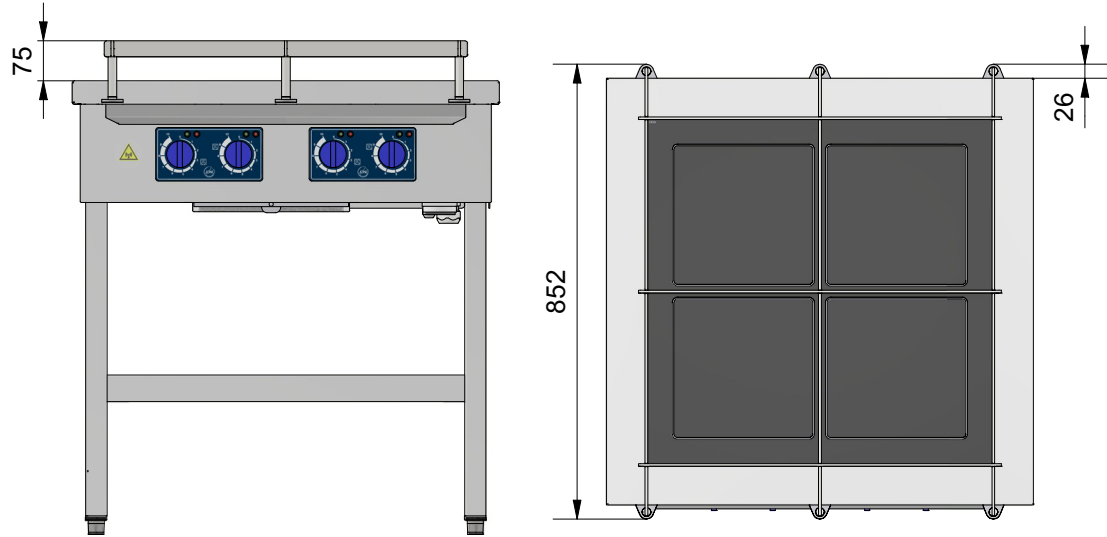
See under the paragraph 'Dimensions for installation' about requirements for space around the appliance.

### Tabel Top Model (TT)

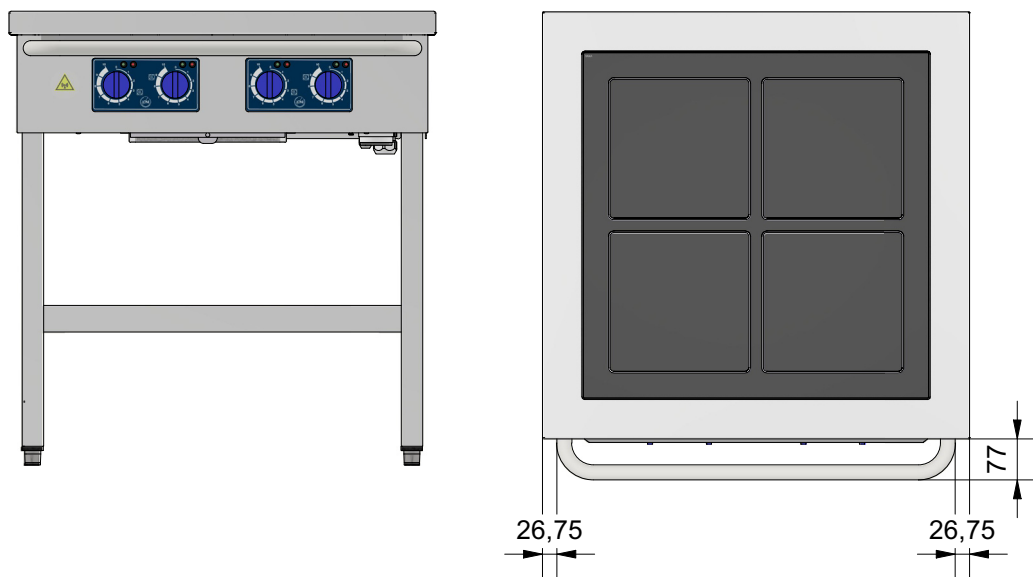


See under the paragraph 'Dimensions for installation' about requirements for space around the appliance.

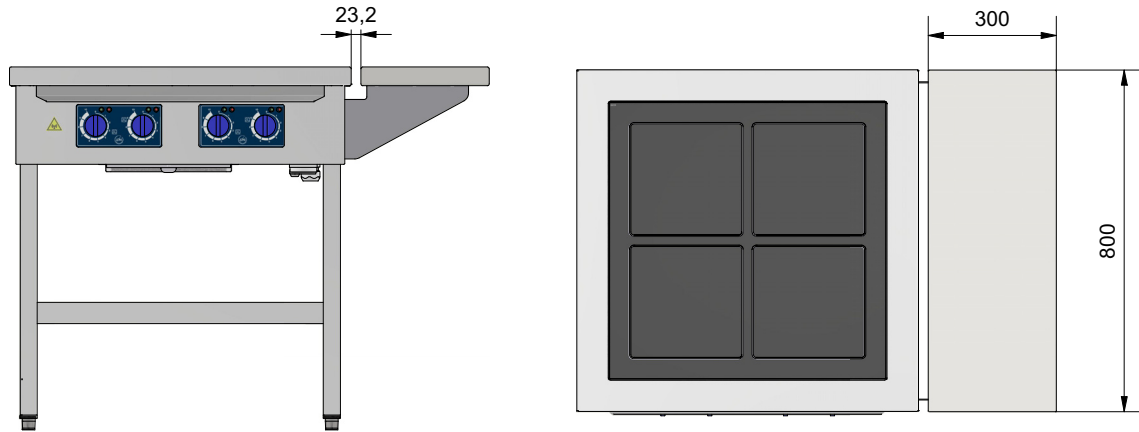
## Fiddles



## Hand rail

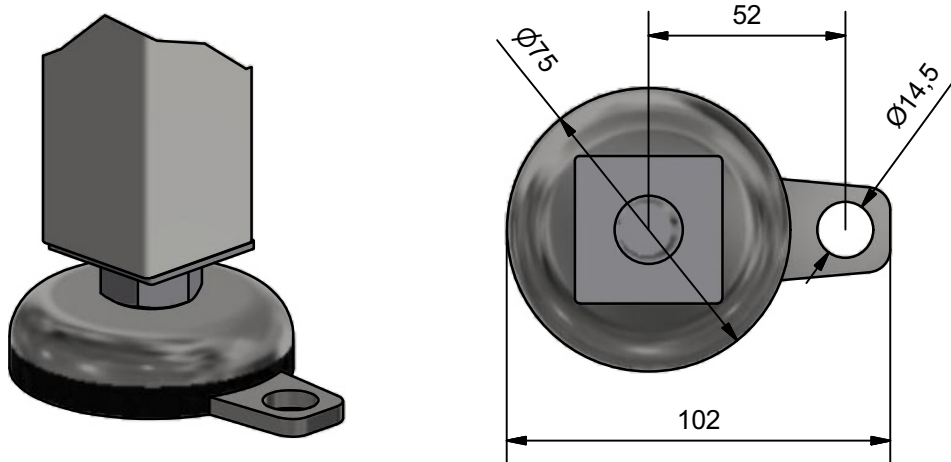


## Side shelf

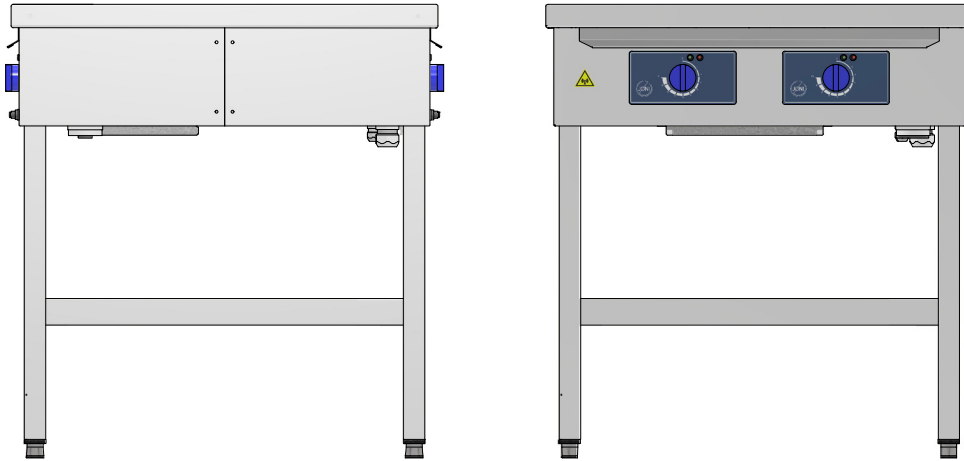


Side shelves can be mounted on the left, the right or both sides of the appliance.  
*Ranges with two zones and side shelf must be fixed to the floor.*

## Fixing to the floor



## Double sided operation



Ranges with 4 or 6 zones can be supplied with control from two sides.  
Where the knobs control the zones closest to them.

## Power Management

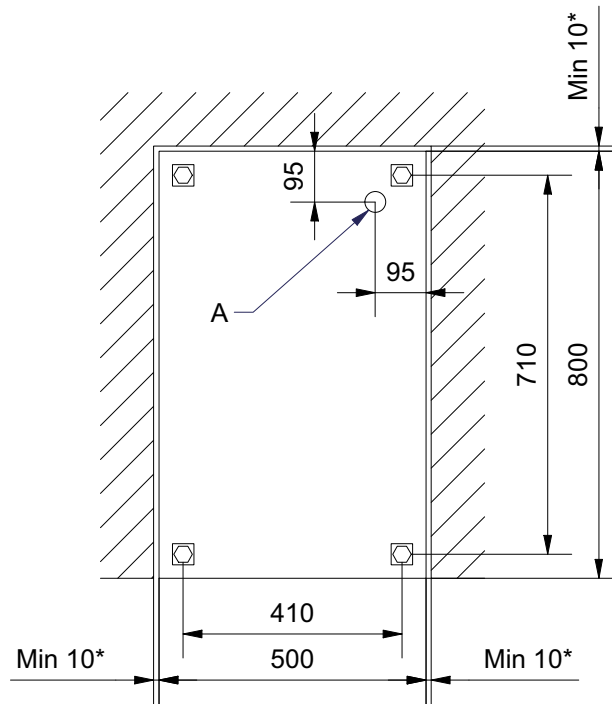
The range can be delivered with current limitation that follows DIN 18875.  
For connection 1,5 mm<sup>2</sup> clamp terminals are placed inside the appliance.

## Signal to the extractor

The range can be purchased with a potential-free contact set for a signal to start the extractor. The signal must be a maximum of 230 VAC and 8 A.  
For connection 1,5 mm<sup>2</sup> clamp terminals are placed inside the appliance.

## Dimensions for installation

### IN 802

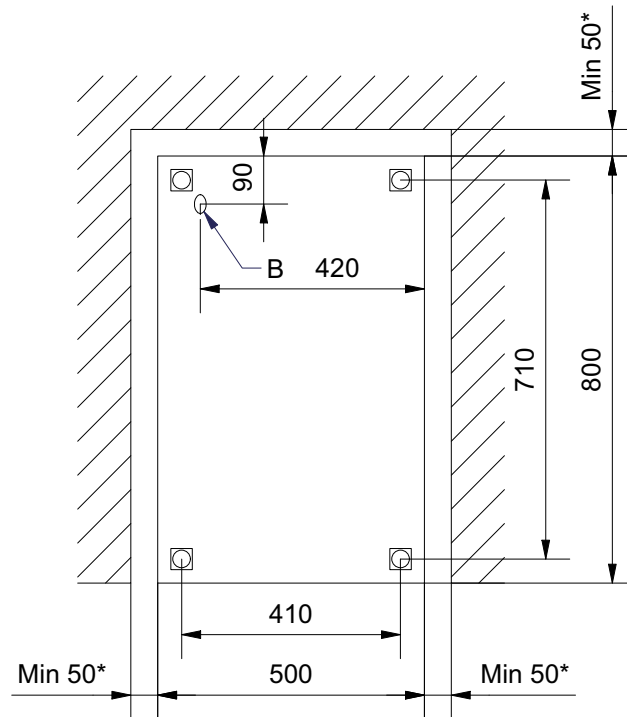


*A: Minimum 1200mm electrical cable over the floor.*

*\* Minimum 100mm when placed next to inflammable materials.*

*For usage and service purposes a 850 mm minimum clearance in front of the range is required.*

## IN 802 Vari

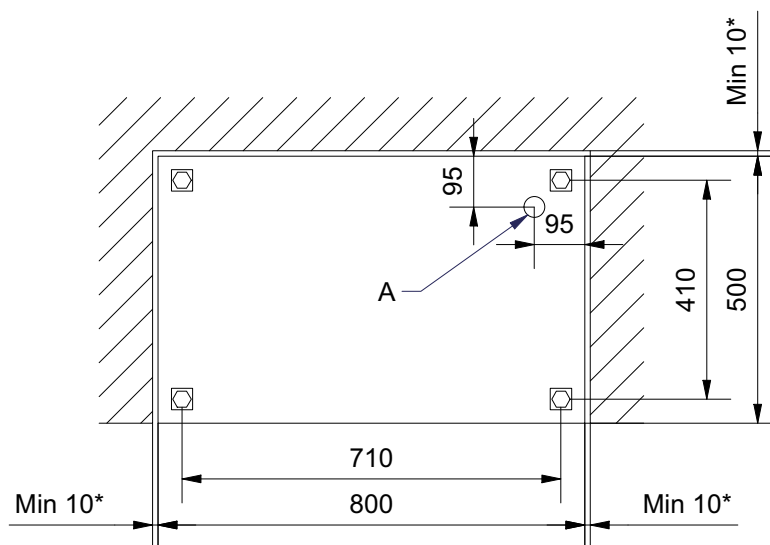


A: Minimum 850mm electrical cable over the floor.

\* Minimum 100mm when placed next to inflammable materials.

For usage and service purposes a 850 mm minimum clearance in front of the range is required.

## IN 802 SB

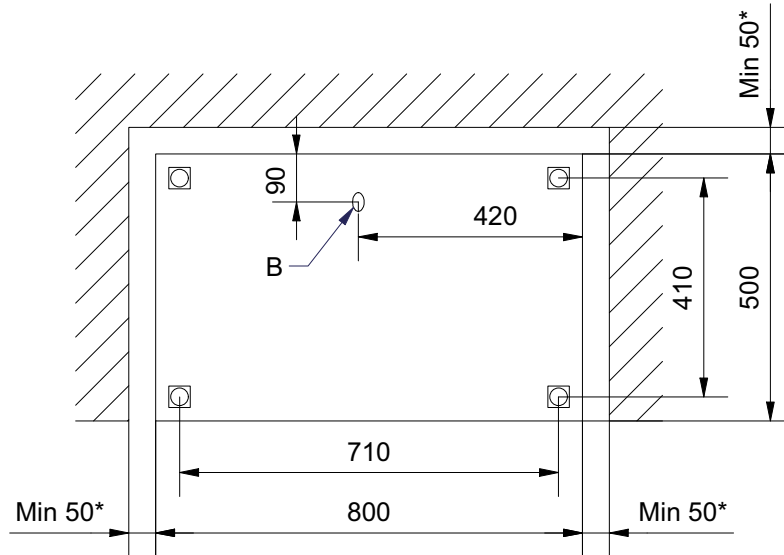


A: Minimum 1200mm electrical cable over the floor.

\* Minimum 100mm when placed next to inflammable materials.

For usage and service purposes a 550 mm minimum clearance in front of the range is required.

## IN 802 SB Vari

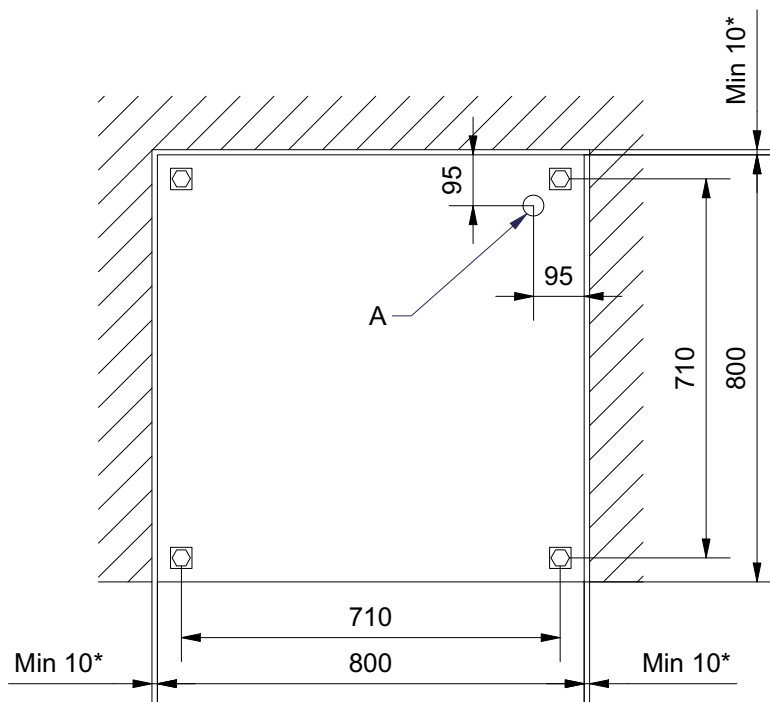


A: Minimum 850mm electrical cable over the floor.

\* Minimum 100mm when placed next to inflammable materials.

For usage and service purposes a 550 mm minimum clearance in front of the range is required.

## IN 804

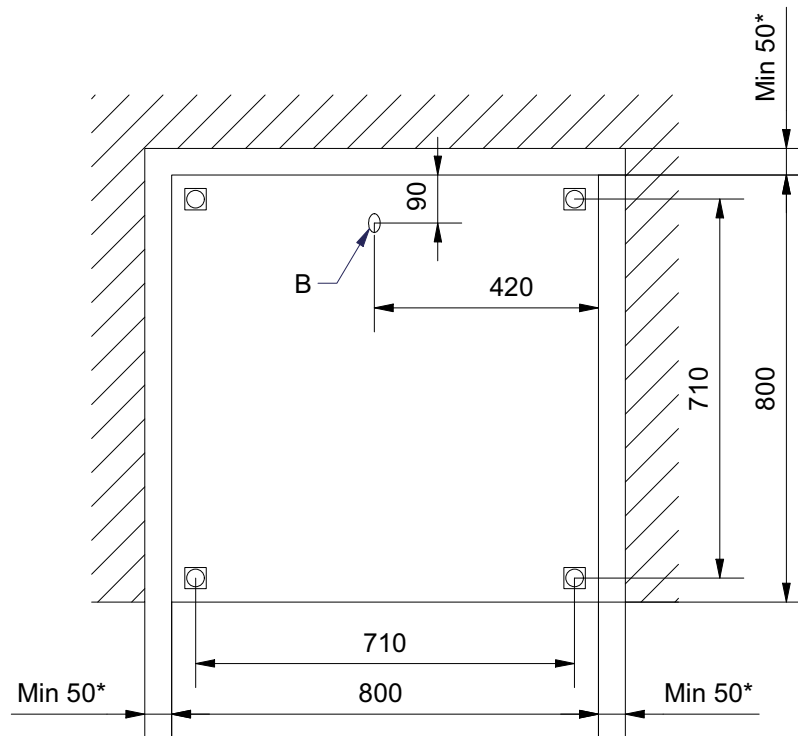


A: Minimum 1200mm electrical cable over the floor.

\* Minimum 100mm when placed next to inflammable materials.

For usage and service purposes a 850 mm minimum clearance in front of the range is required.

## IN 804 Vari



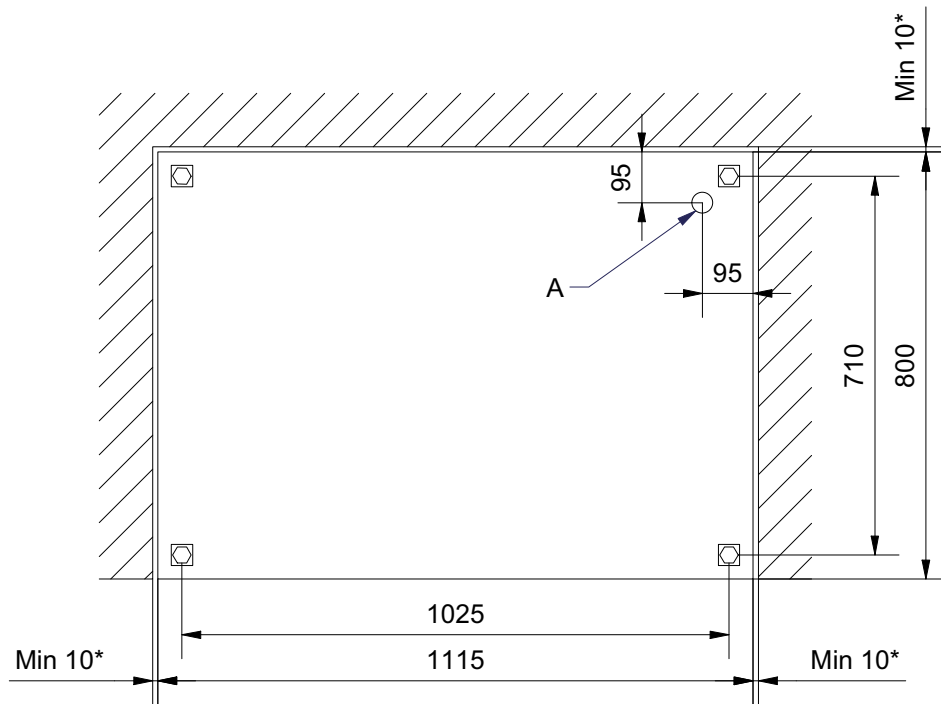
A: Minimum 850mm electrical cable over the floor.

\* Minimum 100mm when placed next to inflammable materials.

For usage and service purposes a 850 mm minimum clearance in front of the range is required.



## IN 806

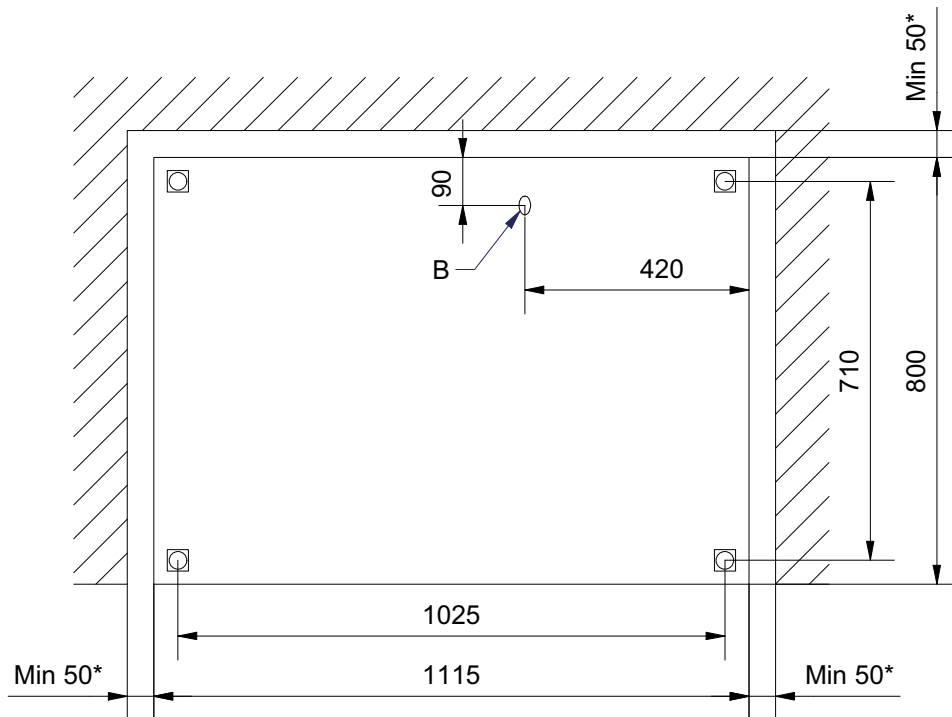


*A: Minimum 1200mm electrical cable over the floor.*

*\* Minimum 100mm when placed next to inflammable materials.*

*For usage and service purposes a 850 mm minimum clearance in front of the range is required.*

## IN 806 Vari



*A: Minimum 850mm electrical cable over the floor.*

*\* Minimum 100mm when placed next to inflammable materials.*

*For usage and service purposes a 850 mm minimum clearance in front of the range is required.*