



OptiMixBraise Stand AutoChef 86

Technical data

10000040569-TDA-000-01



The appliance can be shown with some accessory on the photo.

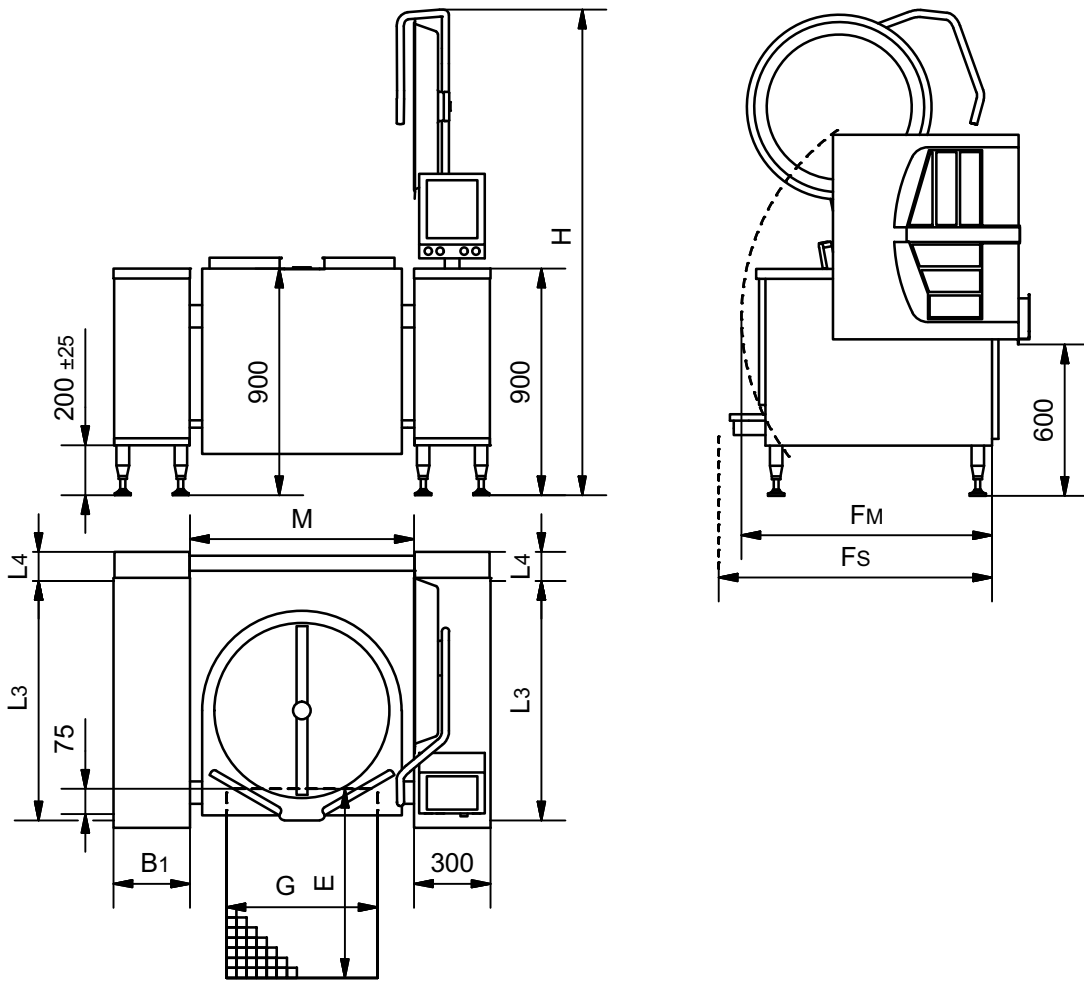
The control can be mounted either to the right or to the left of the kettle.

OptiStand AutoTemp 32, OptiMixStand AutoTemp 56, OptiMixStand AutoChef 86 and OptiMixBraise-
Stand can be combined.

Heating by heating elements and to a maximum temperatur to 200°C.

The control can be mounted either to the right or to the left of the kettle.

Dimensions of the kettle and the mounting pillar



| Size | L3 [mm] | L4 [mm] | Fm [mm] | Fs [mm] | H [mm] | M [mm] | G [mm] | E* [mm] |
|-------------------------|------------|------------|------------|------------|-----------|-----------|-----------|------------|
| OptiMixBraise Stand 75 | 750 | 230 | 980 | 1055 | 1840 | 775 | 500 | 800 |
| OptiMixBraise Stand 100 | 950 | 90 | 1040 | 1200 | 1940 | 892 | 600 | 900 |
| OptiMixBraise Stand 150 | 950 | 315 | 1265 | 1265 | 2050 | 1040 | 600 | 900 |
| OptiMixBraise Stand 200 | 950 | 400 | 1350 | 1350 | 2130 | 1140 | 600 | 900 |

Fm is the shortest distance to enable tilting the kettle. Fs is the shortest distance to enable service.

Bigger distance is recommended in consideration of service and the risk of crushing. National/local regulations must always be observed.

If more kettles are connected, all kettles must have the same L3 and L4 as the biggest kettle.

**For kettles with butterfly valves or drain valves, the content can run behind the floor drain when tilting with open valve. This can occur e.g. when cleaning.*

It is has to be considered to enlarge the drain cf. dimensions in the section 'Location of the drain valve'.

Dimensions for the support pillars

| Size | B1 [mm] | L3 [mm] |
|---------------|---------|---------|
| 160 x 750 mm* | 160 | 750 |
| 160 x 950 mm* | 160 | 950 |
| 300 x 750 mm | 300 | 750 |
| 300 x 950 mm | 300 | 950 |

* 160mm wide pillars cannot be used as support between two kettles.

Electric connections for kettles with stirrer

In the users manual there is important information regarding supply and connections.

3~400V+PE, 50/60Hz

| Size [l] | Power [kW] | Current consumption [A] | Time to boil 10-90°C [min] | Isc [kA] min/max |
|----------|------------|-------------------------|----------------------------|------------------|
| 75 | 15,2 | 26/26/26 | 38 | 0,25/10 |
| 100 | 21,5 | 35/35/35 | 36 | 0,25/10 |
| 150 | 32,8 | 53/53/53 | 35 | 0,25/10 |
| 200 | 39,3 | 62/62/62 | 39 | 0,25/10 |

Leak current under 10 mA.

Network

The kettle must be connected to a data network with Internet connection. Use cable category 6 or better.

Water

In the users manual there is important information regarding supply and connections.

| Water | Pressure [bar] | Amount [l/min] | Temperature [°C] |
|-------|----------------|----------------|------------------|
| Cold | 1,5-6 | 35 | - |
| Hot | 1,5-6 | 35 | < 60 |

Hot water is only used when the kettle is equipped with a spray gun or the possibility to use hot water in the kettle.



Volume

| Size [l] | Net [l] | Gross [l] | Diameter [mm] | Depth [mm] |
|----------|---------|-----------|---------------|------------|
| 75 | 75 | 91 | 581 | 350 |
| 100 | 100 | 132 | 700 | 350 |
| 150 | 150 | 195 | 850 | 350 |
| 200 | 200 | 244 | 950 | 350 |

Ventilation

3~400V+PE, 50/60Hz

| Size [l] | Sensible [W] | Latent [W] | Steam [kg/h] |
|----------|--------------|------------|--------------|
| 75 | 495 | 2830 | 4,2 |
| 100 | 713 | 4073 | 6,0 |
| 150 | 1071 | 6120 | 9,0 |
| 200 | 1297 | 7412 | 10,9 |

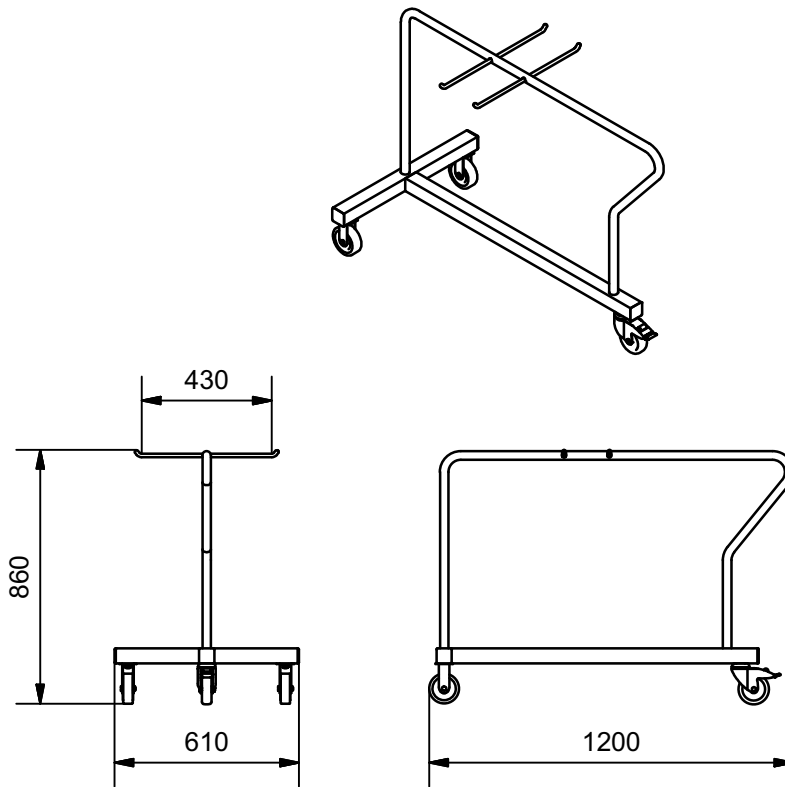
The data is based on the German standard VDI 2052 for dimensioning of ventilation facilities.

The values are based on experience with an average product and a normal usage, and the actual demand varies by the efficiency of the appliance, the control and the way of use.

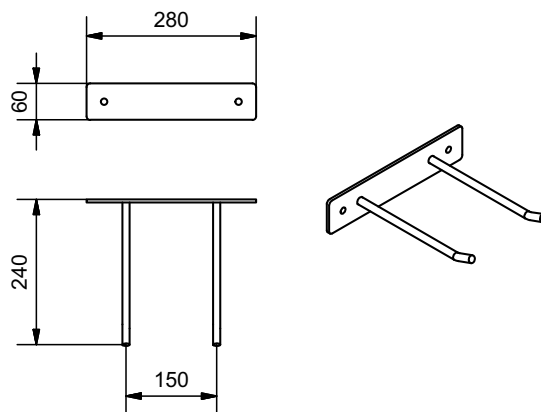
The simultaneity factor, which can be found in VDI 2052 is not taken into account.

Additional equipment

Trolley for accessory



Wall bracket for accessory



Jøni A/S reserve our right to alterations. Reservations against misprints.