

Range IN 650

Technical data

10000045497-TDA-000-00



The cooking zones has an effect of 4 kW each one of them. It can be limited to a maksimum use of 16 or 20 Amp depending on the choosen variant.

The induction coils are 210x210 mm each zone.

All variants can be delivered with an ordinary or vari frame or as a table top model.

Accessory

- Electrical height regulation (VARI)
- Table top (TT)
- Current limitation
- Sea rail
- Handrail
- Floor attachment
- Prepared for power management
- Signal for the extractor



Table of contents

Range IN 650	1
Table of contents	2
Technical data	3
Electric	3
3~400V+PE / 3~400V+N+PE, 50/60Hz	3
3~440V+PE, 50/60Hz	3
Ventilation	3
3~400V and 3~440V	3
Ingress protection class	3
Dimensions of the product	4
IN 654	4
Additional equipment	5
Electric height adjustment (Vari)	5
Tabel Top Model (TT)	5
Fiddles	6
Hand rail	6
Side shelf	7
Fixing to the floor	7
Power Management	7
Signal to the extractor	7
Dimensions for installation	8
IN 654	8
IN 654 Vari	8



Technical data

Electric

In the users manual there is important information regarding supply and connections.

3~400V+PE / 3~400V+N+PE, 50/60Hz

Type	Zones 4kW	Power [kW]	Current con- sumption [A]	Leakage current [mA]	Backup fuse (max.) [A]
IN 654F	4	16	25/25/25	<30	32
IN 654F max 16A	4	10,4	16/16/16	<30	32
IN 654F max 20A	4	13	20/20/20	<30	32

3~440V+PE, 50/60Hz

Type	Zones 4kW	Power [kW]	Current con- sumption [A]	Leakage cur- rent [mA]	Backup fuse (max.) [A]
IN 654F	4	16	22/22/22	<30	32

Ventilation

3~400V and 3~440V

Type	Sensible [W]	Latent [W]	Steam [kg/h]
IN 654F	1120	448	0,66
IN 654F max 16A	728	291,2	0,43
IN 654F max 20A	910	364	0,53

The data is based on the German standard VDI 2052 for dimensioning of ventilation facilities.

The values are based on experience with an average product and a normal usage, and the actual demand varies by the efficiency of the appliance, the control and the way of use.

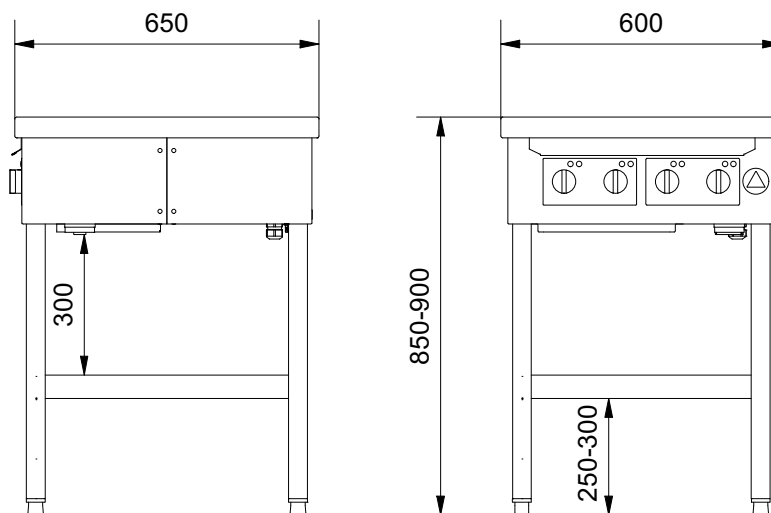
The simultaneity factor, which can be found in VDI 2052 is not taken into account.

Ingress protection class

IPX5

Dimensions of the product

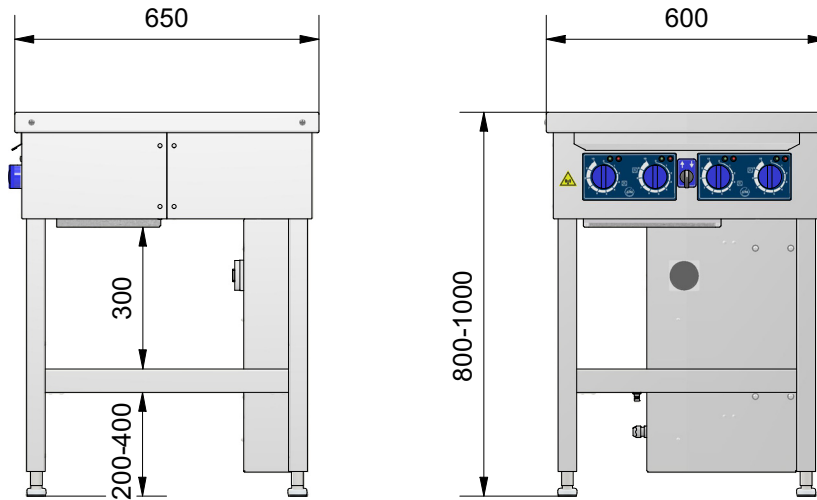
IN 654



See under the paragraph 'Dimensions for installation' about requirements for space around the appliance.

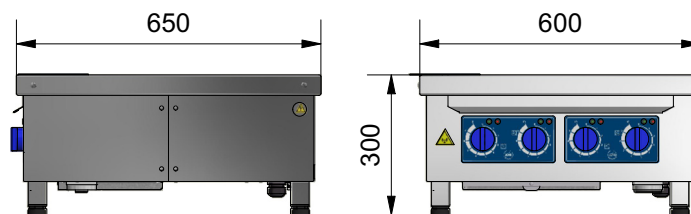
Additional equipment

Electric height adjustment (Vari)



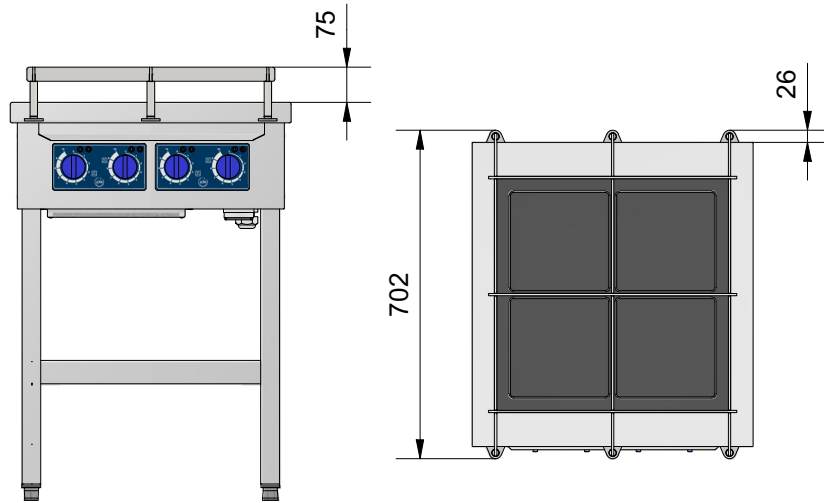
See under the paragraph 'Dimensions for installation' about requirements for space around the appliance.

Tabel Top Model (TT)

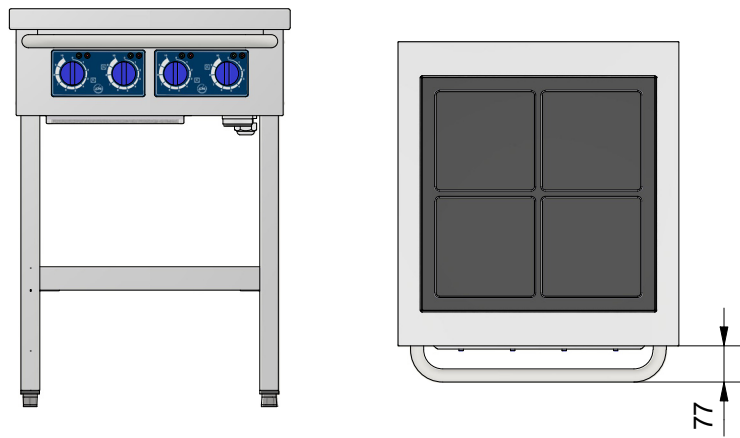


See under the paragraph 'Dimensions for installation' about requirements for space around the appliance.

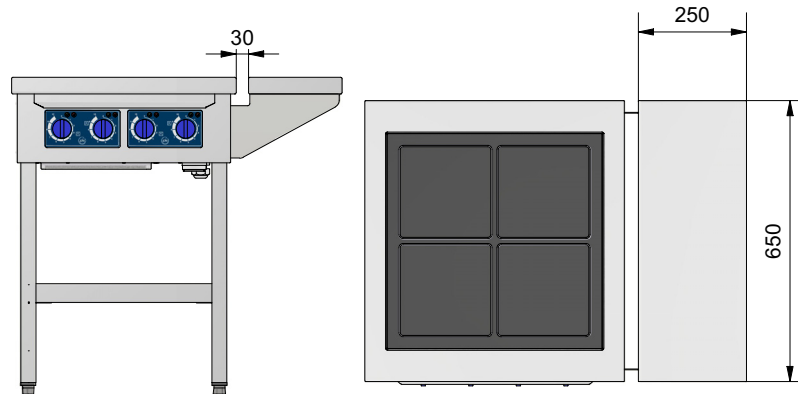
Fiddles



Hand rail

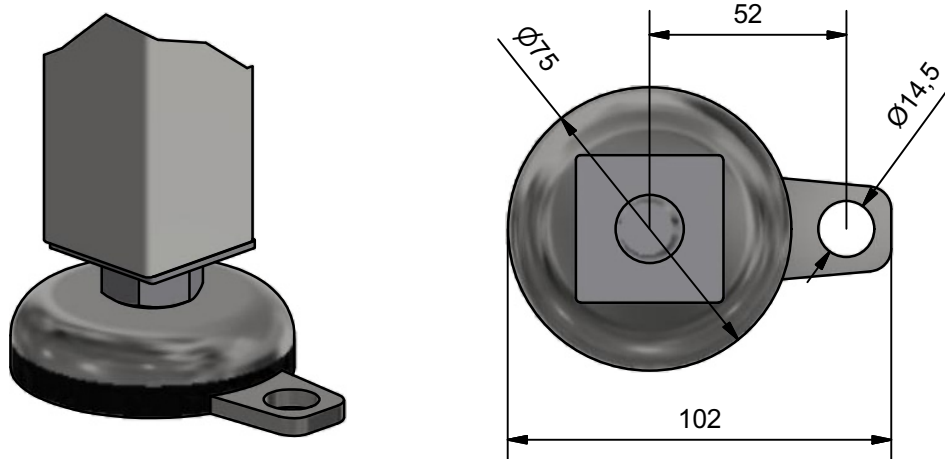


Side shelf



Side shelves can be mounted on the left, the right or both sides of the appliance.

Fixing to the floor



Power Management

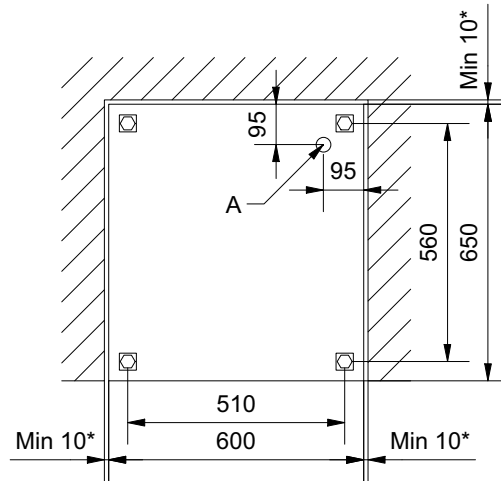
The range can be delivered with current limitation that follows DIN 18875.
For connection 1,5 mm² clamp terminals are placed inside the appliance.

Signal to the extractor

The range can be purchased with a potential-free contact set for a signal to start the extractor. The signal must be a maximum of 230 VAC and 8 A.
For connection 1,5 mm² clamp terminals are placed inside the appliance.

Dimensions for installation

IN 654

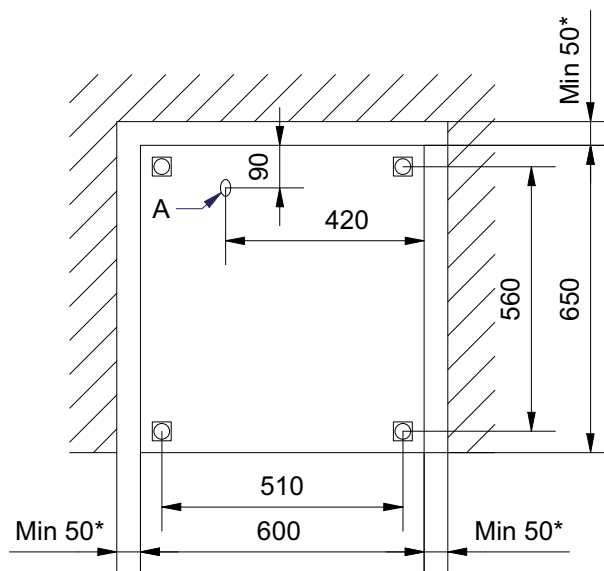


A: Minimum 1200mm electrical cable over the floor.

* Minimum 100mm when placed next to inflammable materials.

For usage and service purposes a 700 mm minimum clearance in front of the range is required.

IN 654 Vari



A: Minimum 850mm electrical cable over the floor.

* Minimum 100mm when placed next to inflammable materials.

For usage and service purposes a 700 mm minimum clearance in front of the range is required.